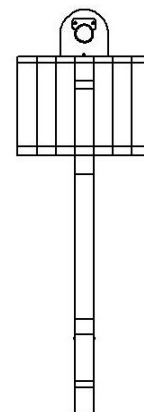
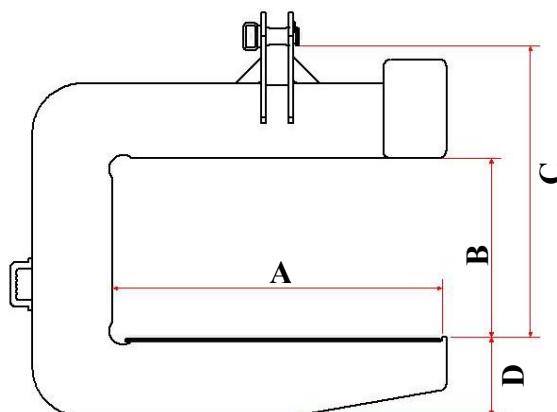


“C” hook for handling of coils



TECHNICAL CHARACTERISTICS

- For all type of coil dimensions and weights
- Minimum loss of height
- Robust steel structure with high elastic limit
- Hanger for easy manoeuvring the “C” hook

OPTIONALS:

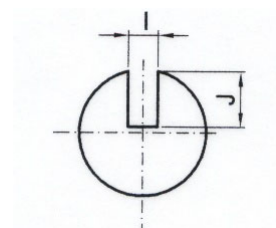
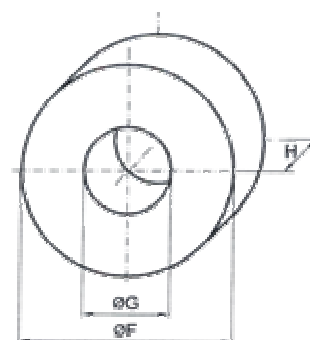
- Implementation of weighing system with accuracy del $\pm 0,1\%$.
- Upper protection for avoiding damages to coil (teflon)
- Storage chair for “C” hook
- Safety clip
- Reduced design to be used in uncoiler

NECESSARY DATA I CASE OF INQUIRY: (see image below).

- Max Coil weight= _____ Working group FEM/DIN: _____
- Crane hook number= _____

Required dimensions of coils

- Coil max length [H_{Máx.}: _____]
- Coil min length [H_{min.}: _____]
- Coil max. inner \varnothing [$\varnothing G_{Máx.}$: _____]
- Coil min. inner \varnothing . [$\varnothing G_{min.}$: _____]
- Coil max. outer \varnothing . [$\varnothing F_{Máx.}$: _____]
- Coil min. outer \varnothing . [$\varnothing F_{min.}$: _____]



Necessary reduced dimensions:

- Width [I: _____]
- Height [J: _____]

Contact details:

- Company/Name: _____
- Phone: _____
- @: _____