

WIZARD ARM W150 C

LIFTKON

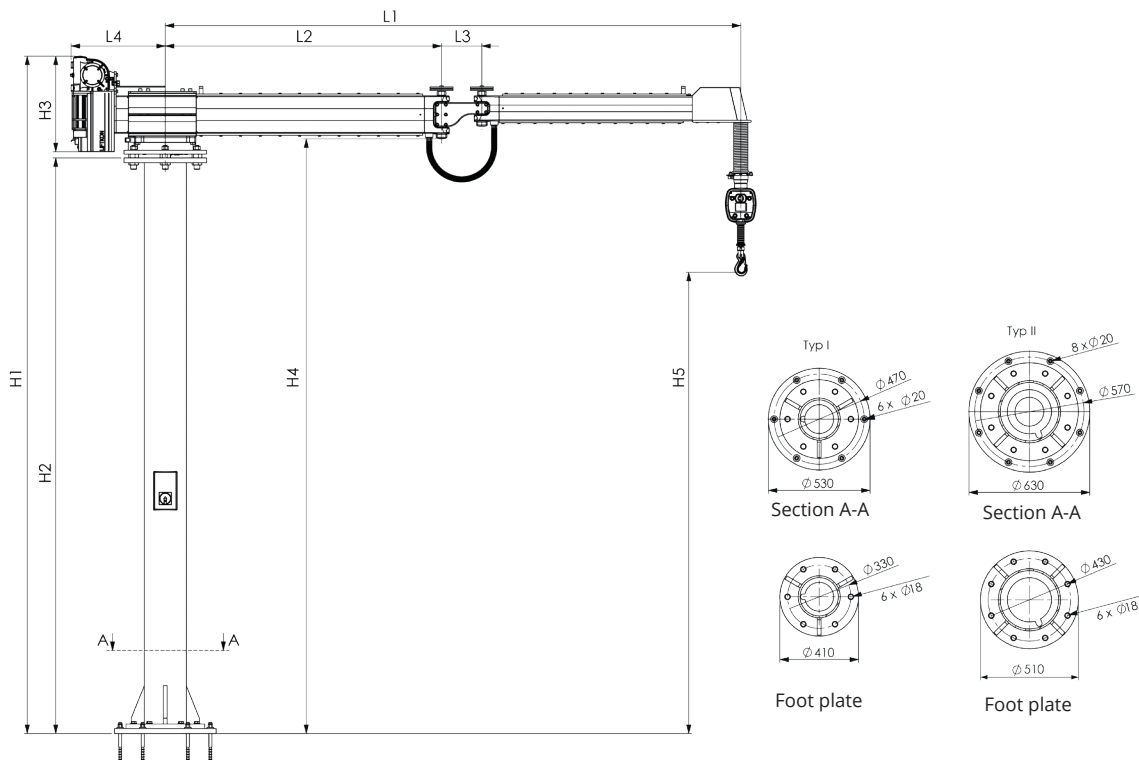
Liftkon develops electronical rope balancers for manual handling technique, designed for rail systems or mounted on columns. The portfolio offers various weight categories as well as arm lengths for individual applications.



Details make Wizard unique and you can benefit from it.

- Ergonomic design with aluminium arm.
- Middle hinge as a standard. This middle hinge, integrated as a standard, interconnects the arm segments. This allows to reach really every point within the operating radius.
- Electric and pneumatic rotary is optionally installed on the operating handle and at the column.
- Programmable inputs/outputs (I/Os) on the control head and drive.
- Customized software solutions. The software can be flexibly adapted to individual requirements.

WIZARD ARM W150 C



mm Type	L1	L2	L3	L4	H1	H2 Column height (Standard)	H3	H4	H5 max.	Mobil base plate (x = optional)		Load distribution plate (required for floor mounting)
										1.200 x 1.200 mm	1.500 x 1.500 mm	
W150 C	2.500	1.190	210	519	3.020	2.500	498	2.600	1.885	x	-	Type 1
	3.000	1.440		x	-					Type 1		
	3.500	1.690		-	x			Type 2				
	4.000	1.940	549	3.090	2.605	1.890	-	x	Type 2			
	4.500	2.190					-	x	Type 2			

Technical Data W150 C	
Load capacity	max. 150 kg
Load capacity	230 V / 1.700 VA / single phase / 10 A / Typ C
Drive	Servomotor
Lifting speed	max. 450 mm/s
Swivel arm	Light swivel arm (with middle hinge) of anodized aluminium profiles; optional special lengths available.
Column	Vertical column made of tubular steel in standard height H2=2.500mm; optional column heights available.
Up / Down movement	The ups and downs are initiated by the operating handle of the operating unit. Upon release the handle motion is immediately stopped.
Installation	Floor mounting with floor anchors (6x M16 – see drilling diagram); our recommendation HIT-Z-D Hilti (chem. anchor with dynamic set) OR screw fitting on mobile base plate. Ground condition: cracked and non-cracked concrete min. C20/25, max. C50/60 (B25-B55), min. 170 mm thick.

LIFTKON GmbH
 Kanalstraße 25 • 73061 Ebersbach/Fils
 Telefon +49 (0)7163 99883-00 • Telefax +49 (0)7163 99883-01
 info@liftkon.de • www.liftkon.de

Liftkon GmbH disclaims all responsibilities for correctness and completeness for the information published in this document and reserves the right to make changes at any time.